

Алюминиевые тормозные резисторы Fullohм

▣ Metal clad braking resistor - MCRF(300W ~ 2kW)



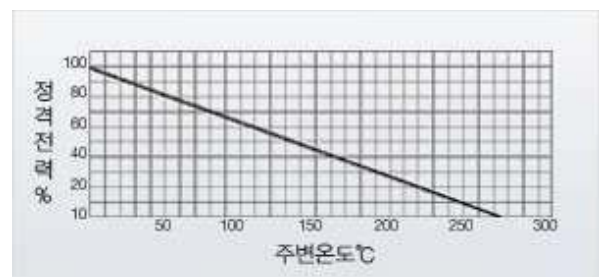
▣ SPECIFICATIONS

Model	Rated Wattage	Resistance Value(Ω)		Tolerance
		W	N	
MCRF-300	300W	0.1~500	0.1~200	F : ±1% G : ±2% J : ±5% K : ±10%
MCRF-400	400W	0.1~600	0.1~300	
MCRF-500	500W	0.1~600	0.1~300	
MCRF-600	600W	0.1~800	0.1~350	
MCRF-800	800W	0.1~1.0k	0.1~500	
MCRF-1000	1.0kW	0.1~1.5k	0.1~700	
MCRF-1200	1.2kW	0.1~2.0k	0.1~1.0k	
MCRF-1500	1.5kW	0.1~5.0k	0.1~2.0k	
MCRF-2000	2.0kW	0.1~7.0k	0.1~3.0k	

▣ CHARACTERISTICS

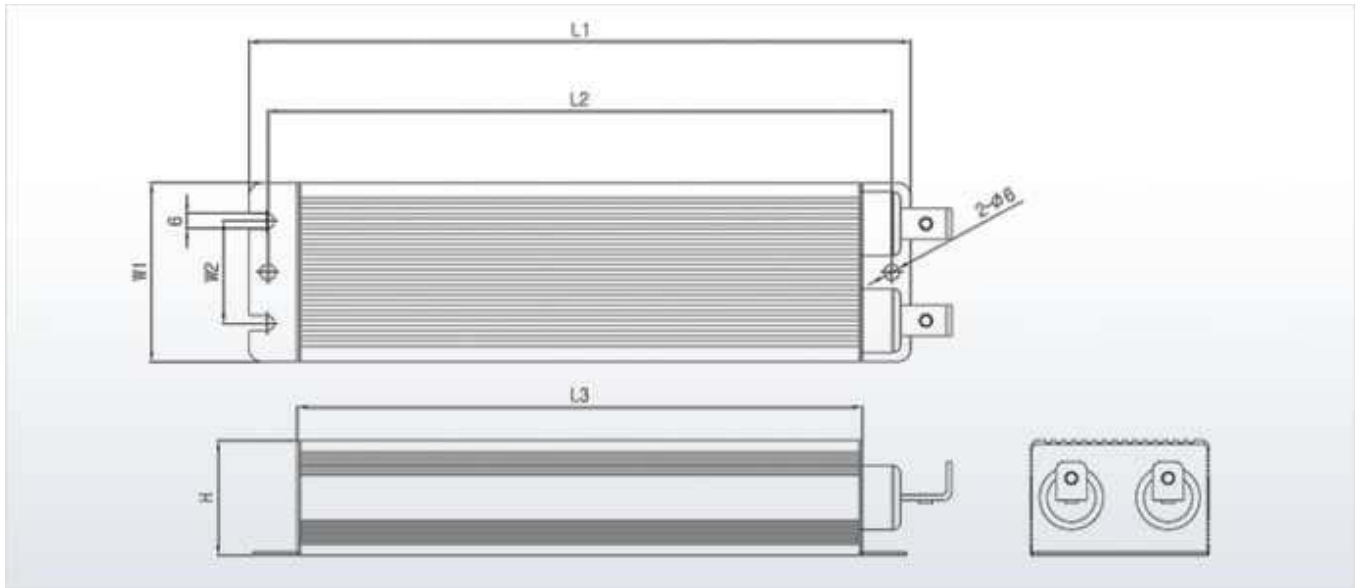
Model	Distinctive
Temperature range	-55°C ~ 200°C
Insulation resistance	100 MΩ Over
Dielectric strength	AC 2,500V / 1 Min
Temperature coefficient	±260 ppm/°C max

▣ POWER DERATING CURVE



Алюминиевые тормозные резисторы Fullohм

▣ DIMENSIONS



Model	L1±1.0	L2±1.0	L3±1.0	W1±0.5	W2±0.5	H±1
MCRF-300	190	175	152	70	39	45
MCRF-400	220	205	182	70	39	45
MCRF-500	240	225	202	70	39	45
MCRF-600	260	245	222	70	39	45
MCRF-800	300	285	262	70	39	45
MCRF-1000	340	325	302	70	39	45
MCRF-1200	400	385	362	70	39	45
MCRF-1500	440	425	402	70	39	45
MCRF-2000	510	495	472	70	39	45

(mm)

▣ HOW TO ORDER

MCRF	300W	N	50Ω	J	T 145								
Model	Rated Wattage	For Non-inductive	Resistance Value	Tolerance	<table border="1"> <thead> <tr> <th colspan="2">Thermostat Sensor Type</th> </tr> </thead> <tbody> <tr> <td>T145</td> <td>145°C</td> </tr> <tr> <td>T200</td> <td>200°C</td> </tr> <tr> <td>-</td> <td>Not available</td> </tr> </tbody> </table>	Thermostat Sensor Type		T145	145°C	T200	200°C	-	Not available
Thermostat Sensor Type													
T145	145°C												
T200	200°C												
-	Not available												